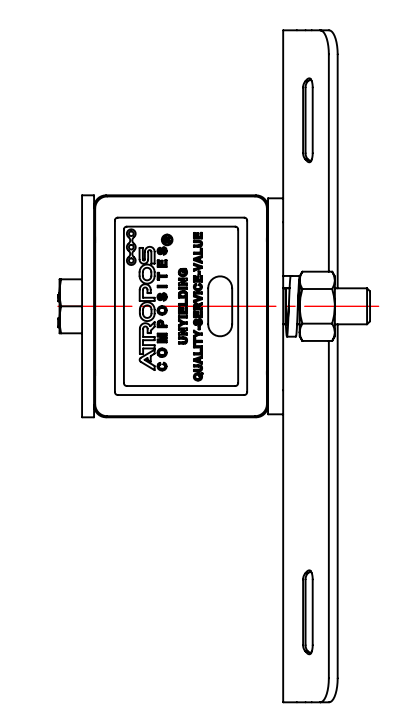
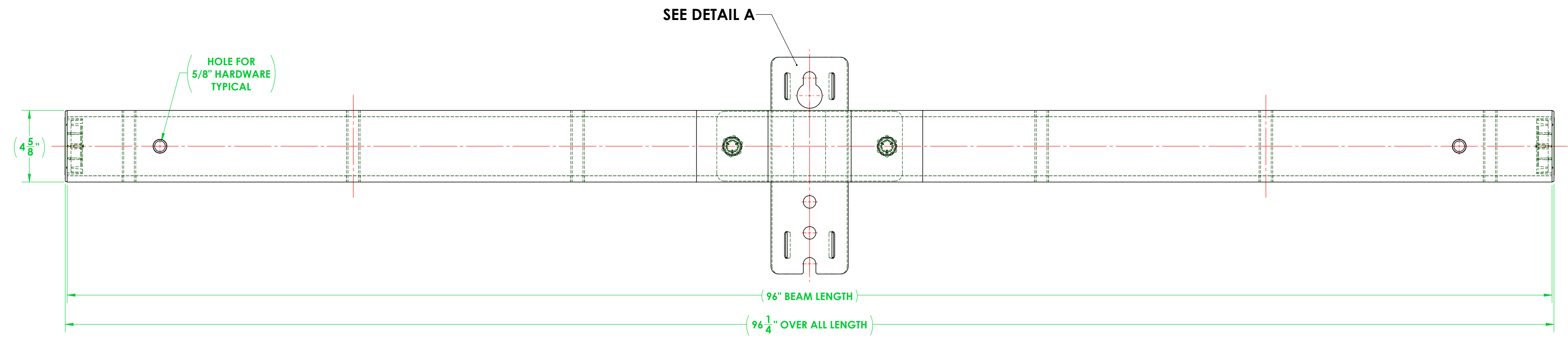
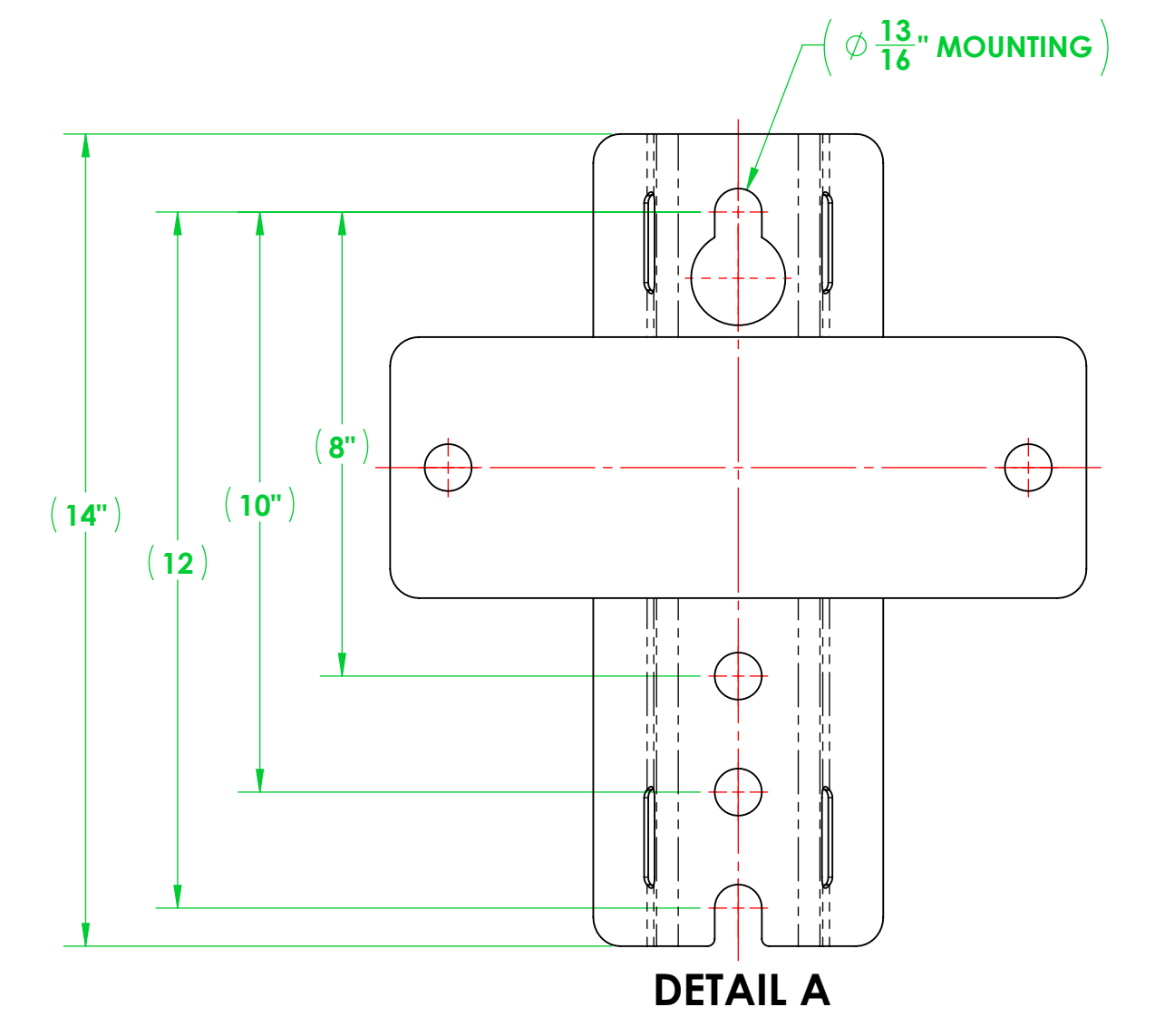
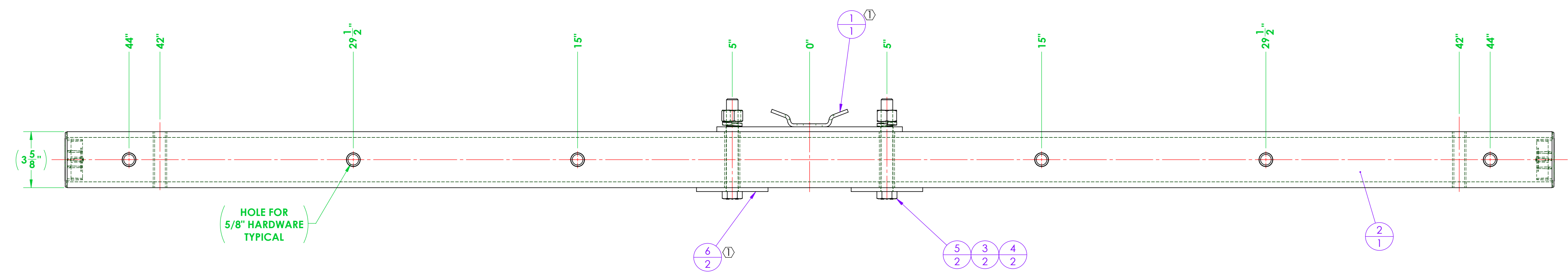


REVISIONS			
REV.	DESCRIPTION	DATE	APPROVED
-	NEW RELEASE	-	-
1	MOUNTING BRACKET WAS FABRICATED NOW PURCHASED. REPLACED COMPRESSION PLATE WITH 2 PLATE WASHERS.	4/23/2026	F. BRYANT



ITEM NO.	PART NUMBER	DESCRIPTION	QTY.
1	A700-0042	CROSSARM MOUNTING BRACKET, TANGENT, 3400 SERIES	1
2	3403A096-T011-X902 CA	ASSEMBLY, RUS, 3403 TANGENT CROSSARM, 8' LONG TYPE 4 DRILL PATTERN	1
3	A616-0042-01	LOCK WASHER, FOR 3/4\" SCREW, 0.766\" ID, 1.265\" OD, 0.188\" THICK, HOT-DIPPED GALVANIZED STEEL	2
4	A616-0019-02	EXTREME STRENGTH NUT, HEX, 3/4\"-10, 2H, HOT-DIPPED GALVANIZED	2
5	A616-0020-02	BOLT, HEX, 3/4\"-10 X 6.00\" LONG, HOT DIPPED GALVANIZED STEEL, 1-1/8\" DRIVE	2
6	A700-0047	WASHER, SQUARE, 4.625\" X 4.625\" X 0.25 THICK WITH 0.81 THRU HOLE	2

GENERAL NOTES		UNLESS OTHERWISE SPECIFIED		NAME	DATE
DIMENSIONS ARE IN INCHES STANDARD TOLERANCES		DRAWN: F. BRYANT 10/14/2025		CHECKED: TJS	10/21/2025
FRACTIONAL: ±1/32		ANGULAR: MACHINED: ±0.5° BEND: ±2°		MFG APPR.	
TWO PLACE DECIMAL: ±0.03		THREE PLACE DECIMAL: ±0.005		Q.A.	
INTERFERE GEOMETRIC TOLERANCING PER: ANSI Y14.5		PROPRIETARY AND CONFIDENTIAL			
MATERIAL		THE INFORMATION CONTAINED IN THIS DRAWING IS THE SOLE PROPERTY OF VETURIS. ANY REPRODUCTION IN PART OR AS A WHOLE WITHOUT THE WRITTEN PERMISSION OF VETURIS IS PROHIBITED.			
FINISH		SCALE: 1:8			
DO NOT SCALE DRAWING		TITLE: ASSEMBLY, TANGENT, 3403, (6) WIRE, 8 FT		SIZE DWG. NO. 3403A096-T011-X902	
		WEIGHT: 69.45		REV 1	
		SHEET 1 OF 1			

